

# CS110LG-TW1-4: Single 10TW1 PowerWedge, Sealed, 4 Ω

SKU # 93318



[VIEW LARGER](#)



Overview

Specifications

Technology

Support

User Reviews

## General Specifications

Continuous Power Handling (RMS) 300 W

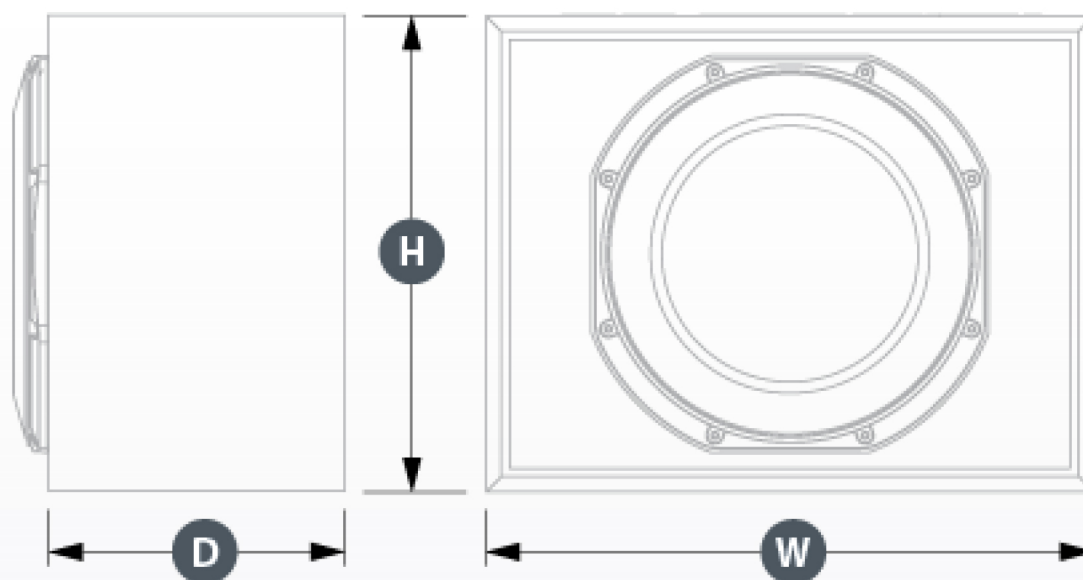
System Nominal Impedance 4 Ω

Enclosure Type Sealed

Finish Black carpet

Grille Included Black Steel Mesh

## Physical Specifications



NOTE: Illustration may not be to scale.

External Width (W) 15 in / 381 mm

External Height (H) 11.75 in / 298 mm

External Depth (D1) 5.563 in / 141 mm

Net Weight 17.42 lb / 7.90 kg