

# CS112G-TW3: Single 12TW3 ProWedge, Sealed, 2 Ω

SKU # 93312



[VIEW LARGER](#)



Overview

Specifications

Technology

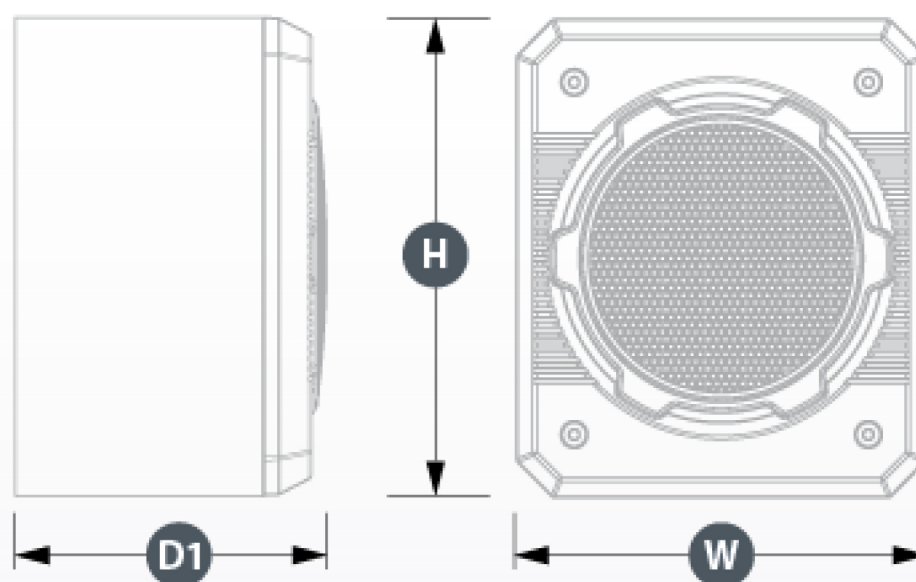
Support

User Reviews

## General Specifications

Continuous Power Handling (RMS)	400 W
System Nominal Impedance	2 Ω
Enclosure Type	Sealed
Finish	Black carpet
Grille Included	Yes

## Physical Specifications



NOTE: Illustration may not be to scale.

External Width (W)	14.375 in / 365 mm
External Height (H)	16.25 in / 413 mm
External Depth (D1)	10.50 in / 267 mm
Net Weight	28 lb / 12.7 kg