

# OWNER'S MANUAL



## **M770-CCS / M770-TCS**

---

7.70-inch (196 mm) Cockpit & Tower Component Systems

*Thank you for choosing a JL Audio Marine Component System.*

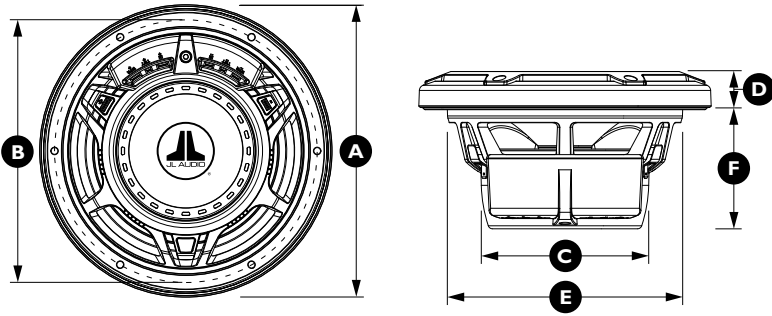
*With proper installation, your new speakers will deliver  
years of listening pleasure.*

*We strongly recommend that you have your new marine speakers  
installed by your authorized JL Audio dealer.*

*The installation professionals employed by your dealer have  
the necessary tools and experience to properly install your new speakers.*

*If you prefer to perform your own installation,  
please read this instruction manual completely before  
beginning the process.*

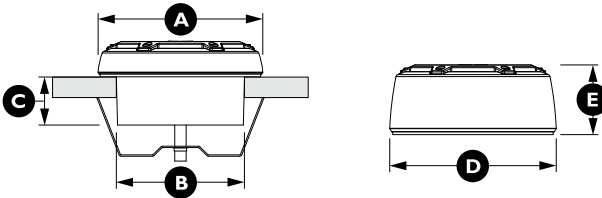




#### Woofer Physical Specifications

<b>Woofer Frame Outer Diameter (A)</b>	7.70 in. / 196 mm
<b>Bolt Hole Circle (B)</b>	6.92 in. / 176 mm
<b>Motor Overmold Outer Diameter (C)</b>	4.41 in. / 112 mm
<b>Woofer Frontal Grille Protrusion* (D)</b>	0.99 in. / 25 mm
<b>Woofer Mounting Hole Diameter (E)</b>	6.25 in. / 159 mm
<b>Woofer Mounting Depth (F)</b>	3.15 in. / 80 mm

Notes: \*Frontal grille protrusion measured from mounting surface



#### Tweeter Physical Specifications

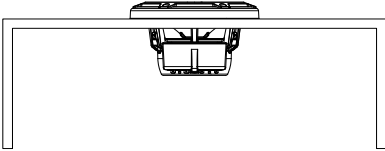
<b>Flush Mount Fixture Diameter (A)</b>	2.38 in. / 60 mm
<b>Flush Mount Mounting Hole Diameter (B)</b>	1.875 in. / 48 mm
<b>Flush Mount Mounting Cup Depth (C)</b>	0.70 in. / 18 mm
<b>Surface Mount Fixture Diameter (D)</b>	2.44 in. / 62 mm
<b>Surface Mount Protrusion (E)</b>	1.02 in. / 26 mm

All specifications are subject to change without notice.

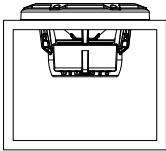
## CCS AND TCS MODELS...

### WHAT IS THE DIFFERENCE?

CCS models have woofers specifically designed for infinite-baffle applications. In plain english, this means that they are designed to operate without an enclosure behind them. The bass response of the speaker will suffer significantly if placed in a small enclosure.



TCS models are specifically engineered for enclosed operation. This makes them ideal for wakeboard tower systems or other small enclosure applications.



## M770-CCS / M770-TCS SPECIFICATIONS

**Woofers:** Injection-molded, mica-filled polypropylene cone bodies with UV inhibitors, 1.25-inch (32 mm) voice coils, low-profile/ progressive-roll spiders and synthetic rubber surrounds. DMA-optimized, long excursion design for enhanced output and bass response. UV-resistant polymer baskets

**Tweeters:** 1-inch (25 mm) treated silk dome tweeter, neodymium magnet, ferrofluid cooled and damped. Flush or surface mount capability. UV-resistant polymer housings

**Crossover Networks:** True 2-way networks with 1st order low-pass and 2nd order high-pass circuits. Polyswitch solid-state tweeter protection

**Continuous Power Handling:** 100 Watts (RMS Method)  
**Peak Music Power:** 300 Watts  
**Recommended Power Range:** 40-175 Watts (RMS)  
**Frequency Response:** 45 Hz - 25 KHz ( $\pm 3$  dB)  
**Efficiency @ 1W/1m:** 91.0 dB  
**Nominal Impedance:** 4 ohms

### Included Components and Parts:

- Two 7.7-inch (196 mm) woofers
- Two Polymer Woofer Grilles
- Two 1-inch (25 mm) Tweeters
- Two 2-Way Crossover Networks (mounted to woofers)
- Two Flush-Mount Tweeter Fixtures
- Two Surface-Mount Tweeter Fixtures
- Twelve #8 x 1 3/8-inch (35 mm) pan-head stainless-steel screws
- Twelve #8 stainless-steel washers
- Six #6 x 3/4-inch (19 mm) phillips-head, stainless-steel screws
- Two #8 x 1 1/4-inch (32 mm) phillips-head, stainless-steel machine screws
- Two spring-stainless-steel clips
- Two red jumper wires (pre-terminated)
- Two black jumper wires (pre-terminated)
- Logo Badges (Sport-Grille Models Only)
  - One Pair Black (White & Titanium/Black Models)
  - One Pair Red (White & Titanium/Black Models)
  - One Pair White (White Models Only)
  - One Pair Titanium (Titanium/Black Models Only)

## BEFORE YOU BEGIN INSTALLING

- Turn off the audio system. It is also advisable to disconnect your battery system whenever performing installation work.
- Before cutting, drilling or inserting any screw, check clearances on both sides of the planned mounting surface. Also check for any potential obstacles, such as wiring harnesses, fuel lines, hydraulic lines, etc. Check both sides of the vessel before cutting any holes.
- Wear protective eyewear at all times and a dust mask and gloves when drilling or cutting.

**It is absolutely vital that your component system is connected as shown in this manual. Failure to connect the system as shown will result in damage to your speakers which is NOT covered under warranty. Do not substitute different crossover networks!**

## TWEETER PROTECTION

The crossover networks are equipped with an advanced electronic tweeter protection circuit designed to minimize the possibility of tweeter failure. This electronic device monitors current going to the tweeter and will disconnect the tweeter from the signal when it senses overload. Should this occur while listening to the audio system, simply reduce the volume for a few seconds and the protection circuit will reset itself automatically.

## SPEAKER PLACEMENT CONSIDERATIONS

A component system gives you the ability to place the woofer and tweeter separately in your vessel. As a general rule, the tweeters should be placed relatively close to the woofers for best tonal balance and most coherent imaging (the closer, the better). Any separation greater than 8 inches (20 cm) is likely to result in degraded sound quality.

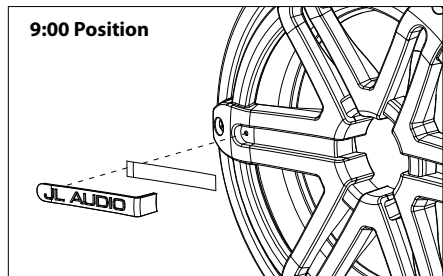
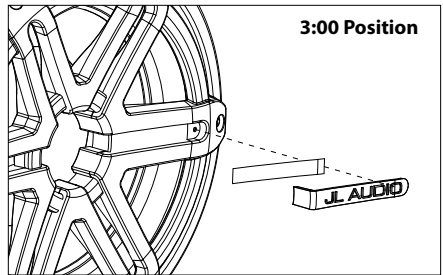
Avoid placing tweeters where they will be blocked by objects (including seated occupants). When selecting a mounting location, look at both sides of the vessel to make sure that this location is clear on both sides.

## INTERCHANGEABLE LOGO BADGE (Sport-Grille Models Only)

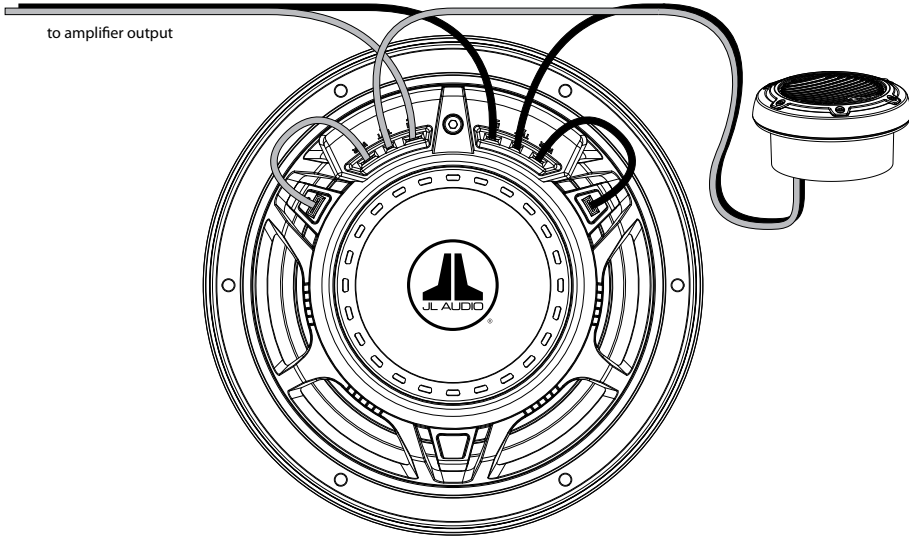
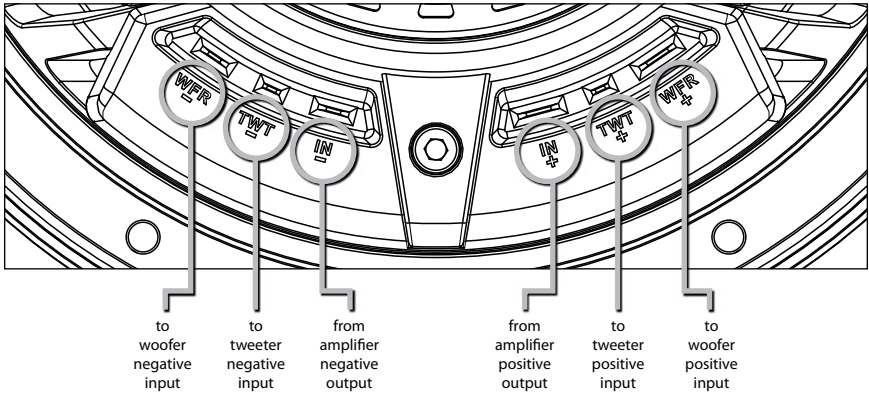
Interchangeable Logo Badges for Sport Grille model component woofers are included to further customize your installation. The design of the Sport Grille allows for the JL Audio logo to be added in your choice of included colors and oriented in the manner that best suits your installation.

**NOTE:** A left and a right badge of each color is included. These two different orientations ensure the “JL Audio” Logo will read correctly wherever positioned (most commonly the 3:00 or 9:00 position).

Remove the adhesive backing from the badge and affix the badge to the grille using the small positioning hole as a guide. See diagram below.



## WIRING DIAGRAM



### CAUTION



While these speakers are designed to be water and spray resistant, they are not designed to be submerged or to withstand high-pressure water spray. Please exercise care when washing your boat to avoid damaging your speakers. Do not install on submersibles, personal watercraft or any other vessel likely to be under water at any time.

Prolonged exposure to sound pressure levels in excess of 100dB can cause permanent hearing loss. This high-performance speaker can exceed this level. Please exercise restraint in its operation in order to preserve your ability to enjoy its fidelity.

When installing speakers in your vessel, it is extremely important to secure them firmly. This applies not only to the speakers themselves, but also any structure they are mounted to. If not firmly attached, the speakers can become dangerous projectiles in a collision. Please review the mounting information carefully and use the supplied marine-grade hardware to mount this product.

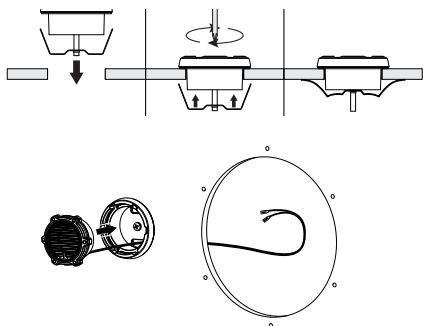
## INSTALLING THE SPEAKERS

Once the mounting locations have been established, run speaker cables from the amplifier outputs to the mounting locations. If you are running cables through bulkheads, drill holes for the cable and use a urethane or plastic grommet to protect the wire from chafing in the hole. Make sure that the cables will clear any mechanical devices in the boat and secure them with wire ties. If you are unsure about any part of this process, please contact your JL AUDIO dealer for installation help.

## TWEETER INSTALLATION PROCEDURE (FLUSH-MOUNT)

- 1) Choose a flat mounting surface that has sufficient depth to accept the mounting cup.
- 2) Cut a 1.875-inch (48 mm) diameter hole.
- 3) Preassemble the spring clip and mounting cup as shown in Diagram A, using the supplied machine screw (Classic Grille Model shown. Installation is the same for Sport Grille Models). Do not tighten fully.
- 4) Insert the cup into the mounting hole so that the spring clip expands on the inside of the mounting surface.
- 5) While holding the tweeter cup in the desired orientation, tighten the machine screw (with a hand screwdriver) until the cup is tight in the hole.
- 6) Insert the tweeter wires through one of the slots in the cup and then snap the tweeter into place by pushing in firmly.
- 7) Connect the tweeter wires to the tweeter output terminals on the crossover. See Wiring Diagram on page 5.

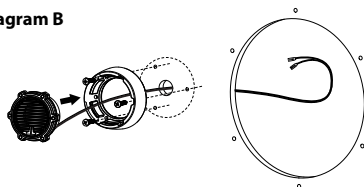
Diagram A



## TWEETER INSTALLATION PROCEDURE (SURFACE-MOUNT)

- 1) Choose a flat mounting surface.
- 2) Drill a 1/4-inch (6 mm) diameter hole at the center of your desired mounting location (to pass the tweeter wires). To prevent cracking, start with a smaller drill bit and gradually work up the target diameter.
- 3) Place the surface mount cup at the desired location and orientation. Then mark the three mounting screw locations with a sharp, pointed tool.
- 4) Remove the mounting cup and drill three 3/32-inch (2.38 mm) diameter pilot holes at the locations you just marked. It is also advisable to use a hand-driven countersink tool on each hole to further inhibit gel-coat cracking of fiberglass panels. Depending on the thickness of the mounting surface, it may be necessary to enlarge the screw holes slightly.
- 5) Place the mounting cup and align it over the holes you just drilled. Then insert three of the supplied #6 x 3/4-inch philips-head mounting screws and tighten gradually with a hand screwdriver until the cup is tight against the surface.
- 6) Insert the tweeter wires through the center hole and then snap the tweeter into place by pushing in firmly.
- 7) Connect the tweeter wires to the tweeter output terminals on the crossover. See Wiring Diagram on page 4.

Diagram B



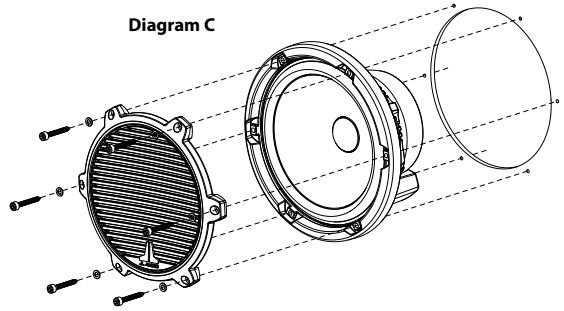
## WOOFER INSTALLATION PROCEDURE

Diagram C shows the typical installation procedure into a fiberglass panel, using the supplied hardware (Classic Grille Model shown). Installation is the same for Sport Grille Models). Always follow proper safety procedures Use eye-protection at all times and a dust mask and gloves when cutting.

- 1) Choose a flat mounting surface that has sufficient depth and air space behind it to accept the component woofer.
- 2) Cut a 6.25-inch (159 mm) diameter hole.
- 3) Run the speaker cable from the amplifier output to the mounting location.
- 4) Place the woofer in the hole and mark the screw hole locations using a sharp, pointed tool.

- 5) Remove the woofer and drill a pilot hole (see chart below) in each of the screw locations. It is also advisable to use a hand-driven countersink tool on each hole to further inhibit gel-coat cracking of fiberglass panels.
- 6) Connect the speaker wires from the amplifier, the output wires to the tweeter and the jumper wires to the woofer connections. See Wiring Diagram on page 5.
- 7) Place the woofer, with its grille, into the opening.
- 8) While holding the speaker firmly in its mounting location, place the #8 x 1 3/8-inch pan-head mounting screws (with washers) and snug in a criss-cross pattern, then tighten with a hand screwdriver in a criss-cross pattern.

Diagram C



Non-standard installations may require different hardware. Always use marine-grade, stainless-steel fasteners to ensure a secure, reliable installation.

## #8 SCREW: PILOT HOLE RECOMMENDATIONS

Fiberglass Thickness	Recommended Pilot Hole Drill Size
0.125 in. (3.18 mm) or less	7/64 in. (2.78 mm) pilot hole
foam core / fiberglass sandwich	7/64 in. (2.78 mm) pilot hole
larger than 0.125 in. (3.18 mm)	1/8 in. (3.18 mm) pilot hole

## **JL AUDIO LIMITED WARRANTY (USA)**

### **Marine Speaker Systems**

JL Audio warrants these speakers (and crossover networks, where applicable) to be free of defects in materials and workmanship for a period of **two (2) years** from the original date of purchase.

This warranty is not transferable and applies only to the original purchaser from an authorized JL Audio dealer. Should service be necessary under this warranty for any reason due to manufacturing defect or malfunction, JL Audio will, at its discretion, repair or replace the defective product with new or remanufactured product at no charge.

Damage caused by the following is not covered under warranty: accident, misuse, abuse, product modification or neglect, failure to follow installation instructions, unauthorized repair attempts, misrepresentations by the seller. This warranty does not cover incidental or consequential damages and does not cover the cost of removing or reinstalling the unit(s). Cosmetic damage due to accident or normal wear and tear is not covered under warranty.

Any applicable implied warranties are limited in duration to the period of the express warranty as provided herein beginning with the date of the original purchase at retail, and no warranties, whether express or implied, shall apply to this product thereafter. Some states do not allow limitations on implied warranties, therefore these exclusions may not apply to you. This warranty gives you specific legal rights, and you may also have other rights which vary from state to state.

#### **If you need service on your JL AUDIO product:**

All warranty returns should be sent to JL Audio freight prepaid through an authorized JL Audio dealer and must be accompanied by proof of purchase (a copy of the original sales receipt.) Direct returns from consumers or non-authorized dealers will be refused unless specifically authorized by JL Audio with a valid return authorization number. Warranty expiration on products returned without proof of purchase will be determined from the manufacturing date code. Coverage may be invalidated as this date is previous to purchase date. Return only defective components. If one speaker fails in a system, return only that speaker component, not the entire system. Non-defective items received will be returned freight-collect. Customer is responsible for shipping charges and insurance in sending the product to JL Audio. Freight damage on returns is not covered under warranty.

#### **For Service Information in the U.S.A. please call:**

JL Audio customer service: (954)443-1100  
during normal business hours (Eastern Time)

#### **JL Audio, Inc**

10369 North Commerce Pkwy.  
Miramar, FL 33025

#### **International Warranties:**

Products purchased outside the United States of America are covered only by that country's distributor and not by JL Audio, Inc.