

CS210LG-TW1: Dual 10TW1 PowerWedge, Sealed, 2 Ω

SKU # 93316



[VIEW LARGER](#)



Overview

Specifications

Technology

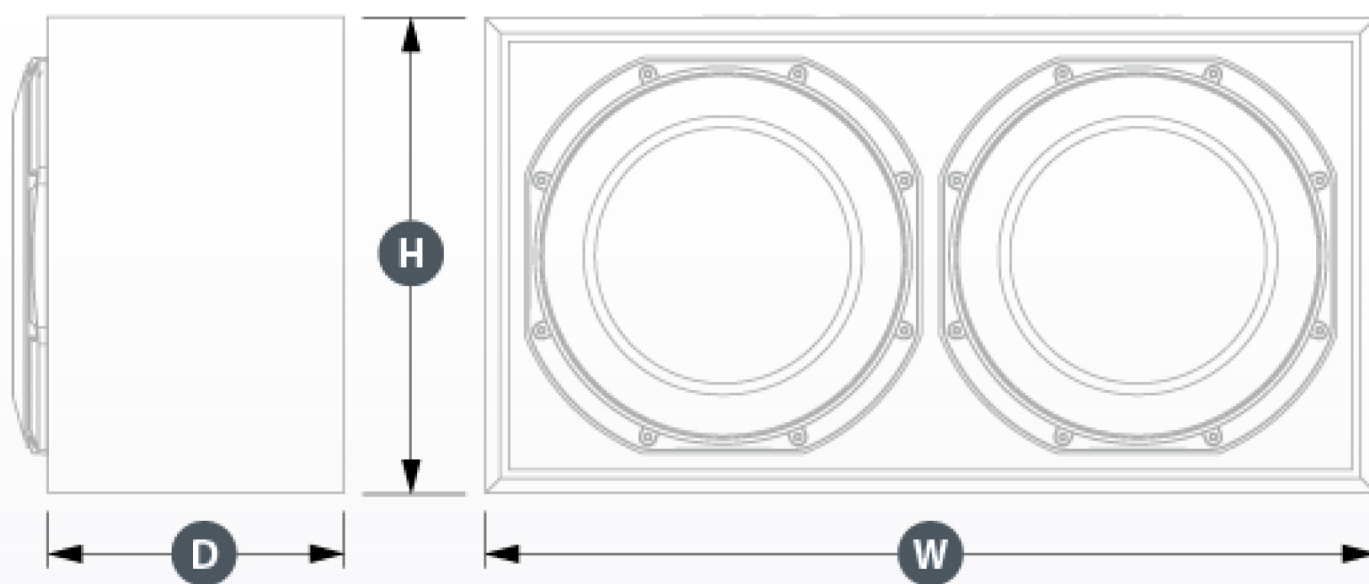
Support

User Reviews

General Specifications

Continuous Power Handling (RMS)	600 W
System Nominal Impedance	2 Ω
Enclosure Type	Sealed
Finish	Black carpet
Grille Included	Black Steel Mesh

Physical Specifications



NOTE: Illustration may not be to scale.

External Width (W)	22 in / 559 mm
External Height (H)	11.75 in / 298 mm
External Depth (D1)	7.313 in / 186 mm
Net Weight	34.20 lb / 15.51 kg