

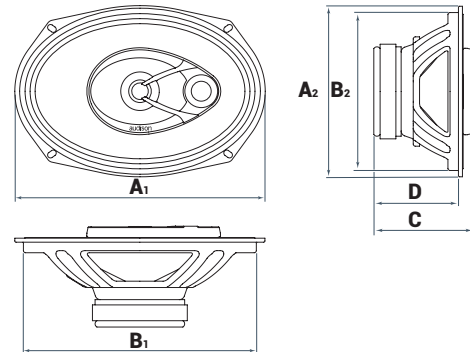
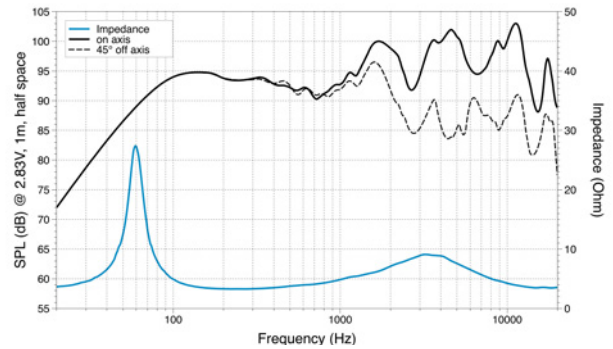


# APX 690 COAXIAL



- 1 Horn Loaded Tweeter: 40 mm horn loaded dome tweeter contributing to its incredible efficiency of up to 96dB SPL.
- 2 Acoustics lens applied to the tweeter, specifically designed to increase dispersion in the high frequency range.
- 3 PEI (Polyethylene injected) supertweeter employed to strengthen emission of very high frequency ranges otherwise affected by off-axis positioning common to rear deck installations.
- 4 Water-repellent treated paper cone, featuring a profile developed with FEM (Finite Element Method) simulation technology and optimized with the Klippel Scan Vibrometer.
- 5 Pure copper mobile voice coil, wound on Kapton former, for better thermal and mechanical capacity.
- 6 TPU (Thermoplastic Polyurethane) surround, featuring the exclusive shallow "Triple Wave" profile, for maximum excursion linearity.
- 7 Polycotton spider material ensuring reliable performance and linear response to musical transients.
- 8 Large motor assembly, optimised with FEM (Finite Element Method) technology, for stable control and linear excursion.
- 9 Low carbon content plates for maximum magnetic permeability and high heat dissipation.
- 10 Compact basket, protected by abrasion-resistant and scratch-proof coating, the motor affixed with damping epoxy adhesive.
- 11 High current fast-on terminal with temperature resistant plastic cover, protecting it against accidental short circuits.
- 12 Developed with the KLIPPEL suite.

\* Grille included



A <sub>1</sub>	A <sub>2</sub>	B <sub>1</sub>	B <sub>2</sub>	C	D	E <sub>1</sub>	E <sub>2</sub>	F	
238	162	222	151	96	81	276	202	25	mm
9.37	6.38	8.74	5.95	3.78	3.19	10.86	7.95	0.98	in.

## TECHNICAL SPECIFICATIONS

Component		3-way Coaxial
Size	mm (in.)	Woofer (6 x 9) Tweeter 40 (1.58) SuperTweeter 15 (0.6)
Power Handling	W peak	300
	W continuous	100
Impedance	Ω	4
Frequency Response	Hz	40 ÷ 23k
Magnet size	mm	90 x 32 x 15
D x h	(in.)	(3.54 x 1.26 x 0.59)
Weight of one speaker	kg (lb)	1,225 (2.7)
Woofer Voice Coil Ø	mm (in.)	25 (1)
Tweeter Voice Coil Ø	mm (in.)	20 (0.78)

## ELECTRO-ACOUSTIC PARAMETERS

D	mm	171
Xmax	mm	±3,5
Re	Ω	3,2
Fs	Hz	60
Le	mH	0,2
Vas	l	36
Mms	g	16,6
Cms	mm/N	0,5
BL	T·m	5,3
Qts		0,6
Qes		0,7
Qms		6,7
Spl	dB	96