

CS112LG-TW1-2: Single 12TW1 PowerWedge, Sealed, 2 Ω

SKU # 93325



[VIEW LARGER](#)



[Overview](#)

[Specifications](#)

[Technology](#)

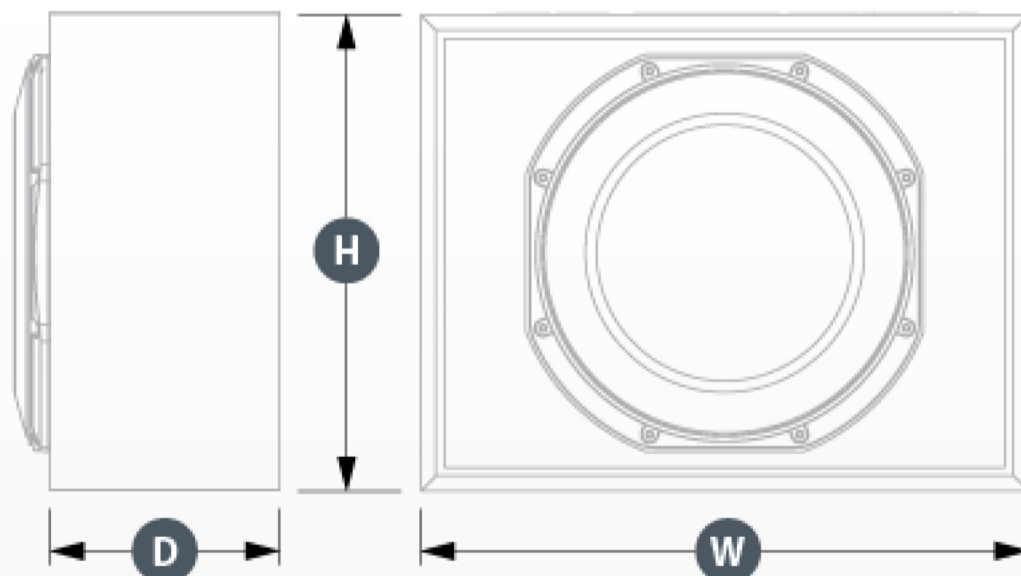
[Support](#)

[User Reviews](#)

General Specifications

Continuous Power Handling (RMS)	300 W
System Nominal Impedance	2 Ω
Enclosure Type	Sealed
Finish	Black carpet
Grille Included	Black Steel Mesh

Physical Specifications



NOTE: Illustration may not be to scale.

External Width (W)	18 in / 457 mm
External Height (H)	13.75 in / 349 mm
External Depth (D1)	6.625 in / 168 mm
Net Weight	26.02 lb / 11.80 kg